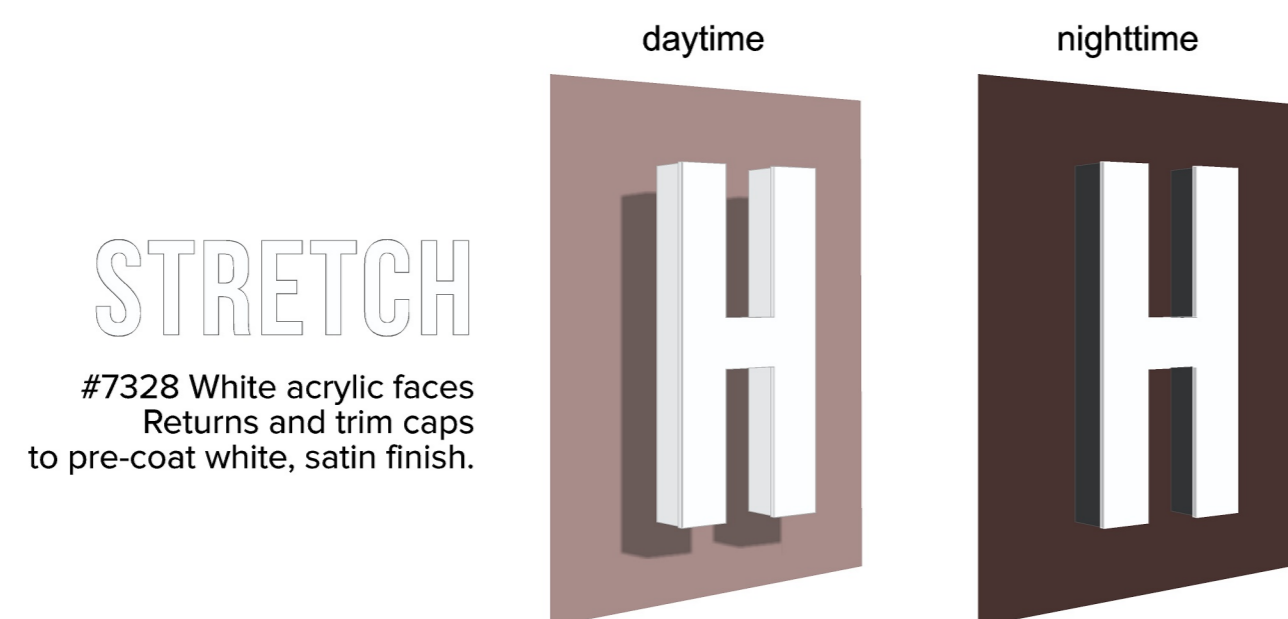


1 FRONT VIEW: FABRICATE AND INSTALL (1) FRONT-LIT CHANNEL LETTER SET ON RACEWAY
120V 7 amp *on a dedicated*

PROPOSED SQ.FT. = 10
WEIGHT = 21

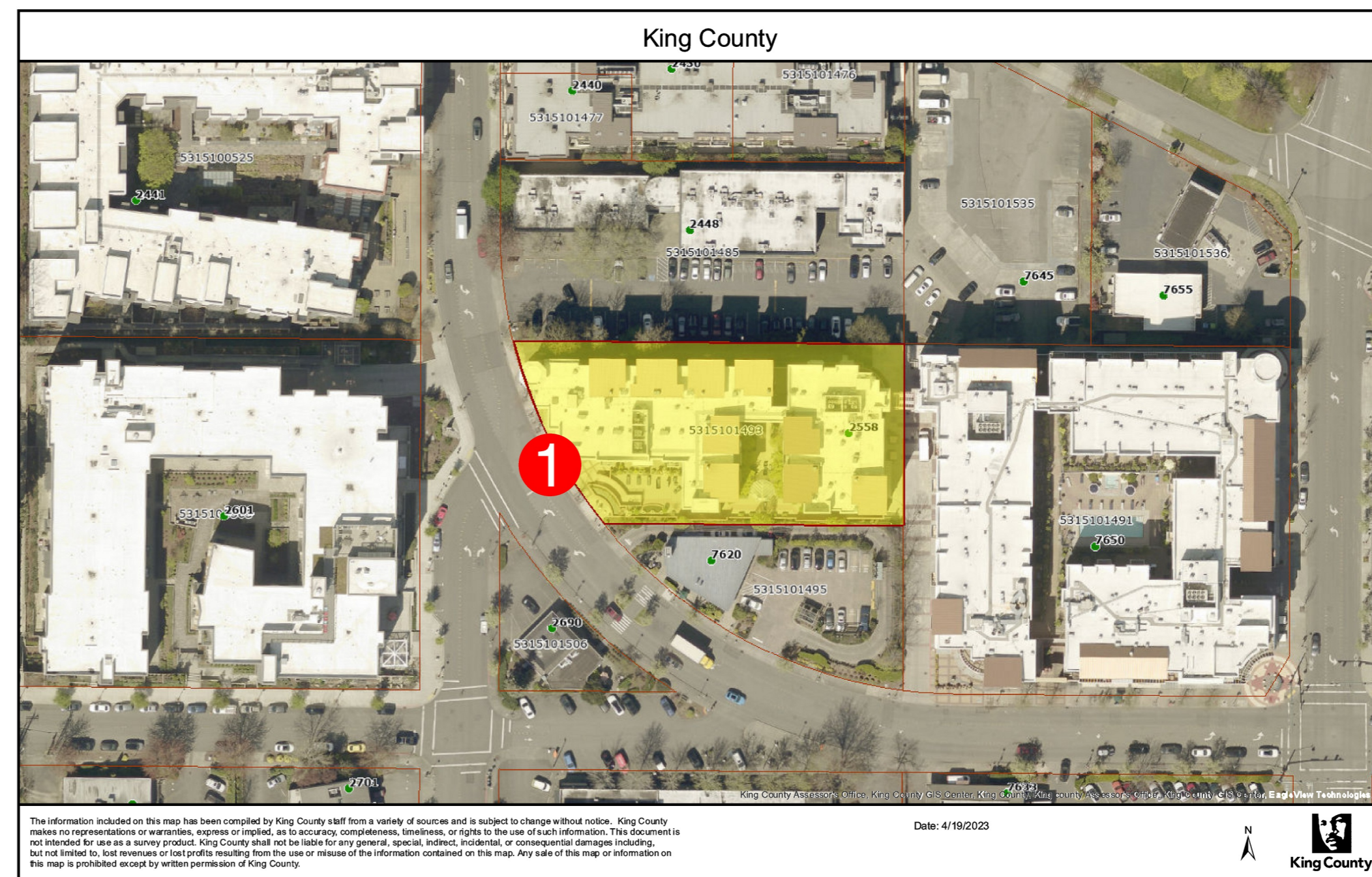


#7328 White acrylic faces
Returns and trim caps
to pre-coat white, satin finish.



#7328 White acrylic faces
decorated with translucent printed vinyl
matching, respectively,
PMS #631c (teal), PMS #2189c (navy)
and PMS #198c (red).
Letters weeded out.
Returns and trim caps painted to match face colors.

INSTALLATION LOCATION



The information included on this map has been compiled by King County staff from a variety of sources and is subject to change without notice. King County makes no representations or warranties, express or implied, as to accuracy, completeness, timeliness, or rights to the use of such information. This document is not intended for use as a survey product. King County shall not be liable for any general, special, indirect, incidental, or consequential damages including, but not limited to, lost revenues or lost profits resulting from the use or misuse of the information contained on this map. Any sale of this map, or information on this map is prohibited except by written permission of King County.

Date: 4/19/2023



Project ID

INV-17655

Date: 04/2023
Scale: IND
Sales: A. FONG
Designer: D. BURKS

Rev. #: 0
Date:

Revision Notes:

Conceptual

Information Required:

Master

Electrical

120V 347V

Other _____

Customer Approval

Signature _____

MM/DD/YYYY _____

It is the Customer's responsibility to ensure that the structure of the building is designed and constructed to accept the installation of the signs being ordered. Please ask PSG to provide further details if required.

All rights reserved. The artwork depicted herein are copyright and are the exclusive property of Pattison Sign Group and as such cannot be reproduced in whole or in part without written permission by Pattison Sign Group.

STRETCHLAB
MERCER ISLAND

2558 76th Ave SE
Mercer Island, WA 9804

Sign Item

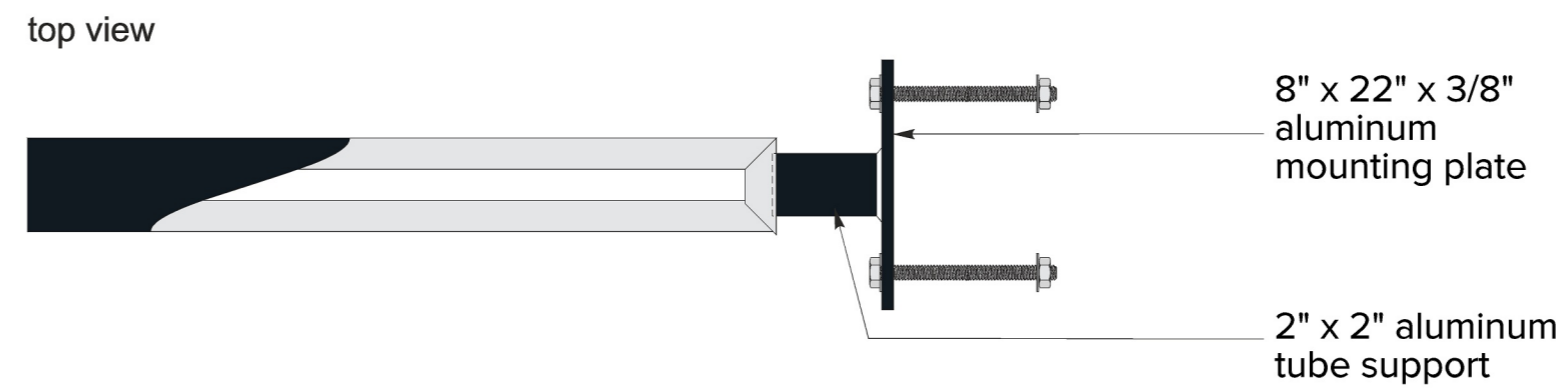
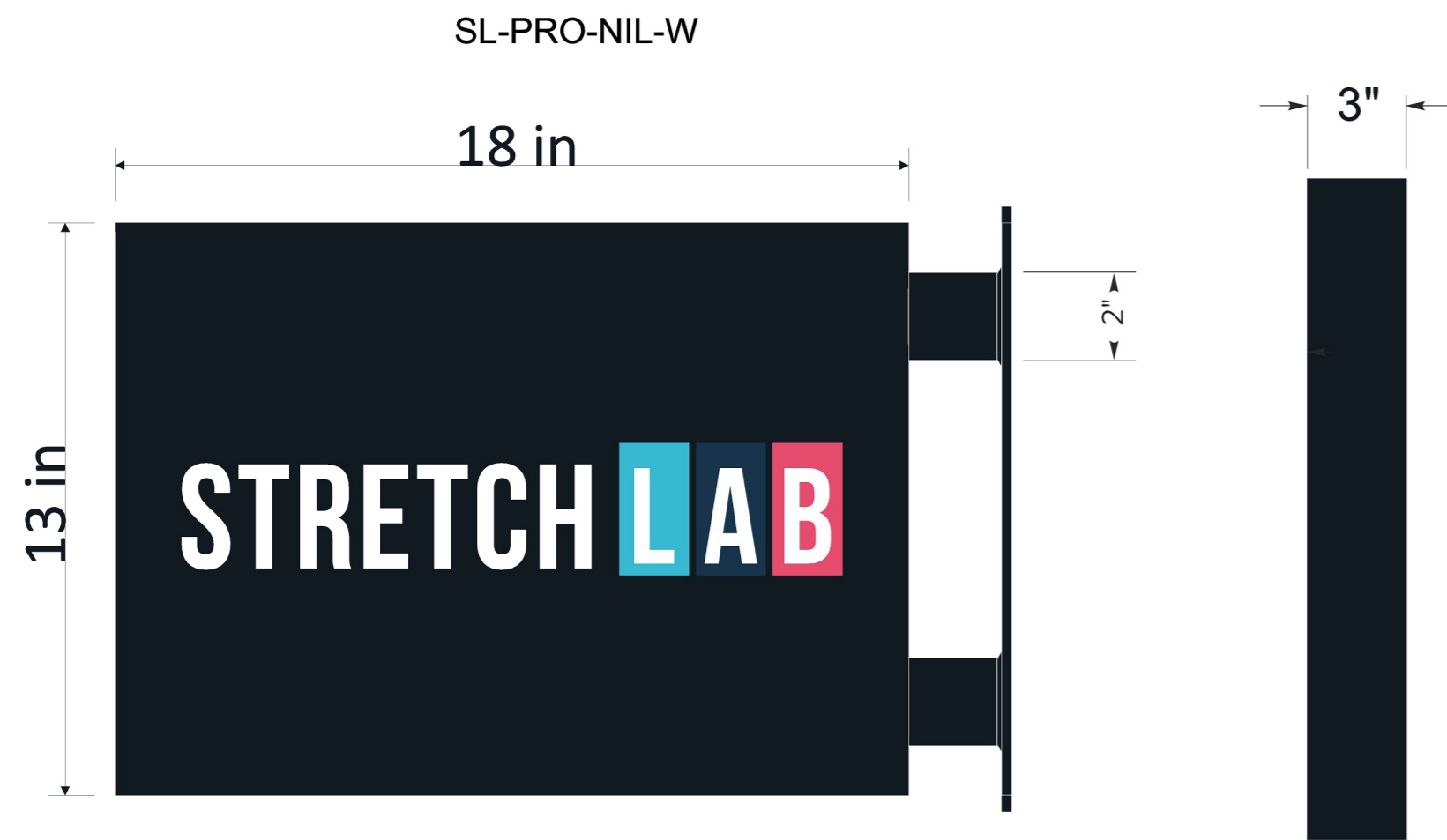
1/1



This sign to be installed in accordance with the requirements of Article 600 of the National Electrical Code and/or other applicable local codes. This includes proper grounding and bonding of the sign.



Fluorescent, Neon and HID lamps contain Mercury (HG). Dispose of the lamps according to Local, Provincial, State or Federal Laws.



2 FRONT VIEW: FABRICATE AND INSTALL (1) NON-ILLUMINATED BLADE SIGN W/ DIGITAL GRAPHICS & LAMINATION PROPOSED SQ.FT. = 1.63
DOUBLE-FACED WEIGHT = 7

Project ID

EST-17655

Date: 05/2023
Scale: IND
Sales: A. FONG
Designer: D. BURKS

Rev. #: 0
Date:

Revision Notes:

Conceptual

Information Required:

Master

Electrical

120V 347V

Other _____

Customer Approval

Signature _____

MM/DD/YYYY _____

It is the Customer's responsibility to ensure that the structure of the building is designed and constructed to accept the installation of the signs being ordered. Please ask PSG to provide further details if required.

All rights reserved. The artwork depicted herein are copyright and are the exclusive property of Pattison Sign Group and as such cannot be reproduced in whole or in part without written permission by Pattison Sign Group.

**STRETCHLAB
MERCER ISLAND**

2558 76th Ave SE
Mercer Island, WA 9804

Sign Item

2/2